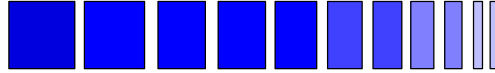


THERMO KING CORPORATION

CUSTOMER SPECIFICATION		REVISION	A
BASE UNIT	MAGNUM	ADDENDUM	
REV. DATE	9th Jul, 2012	PAGE 1 of	3



PRODUCT SPECIFICATION



DUAL VOLTAGE TRANSFORMER

CUSTOMER SPECIFICATIONS FOR REEFERS OPTIONS

Approval:

A handwritten signature in black ink, appearing to be 'A. Q. B.', written over a horizontal line.

THERMO KING CORPORATION

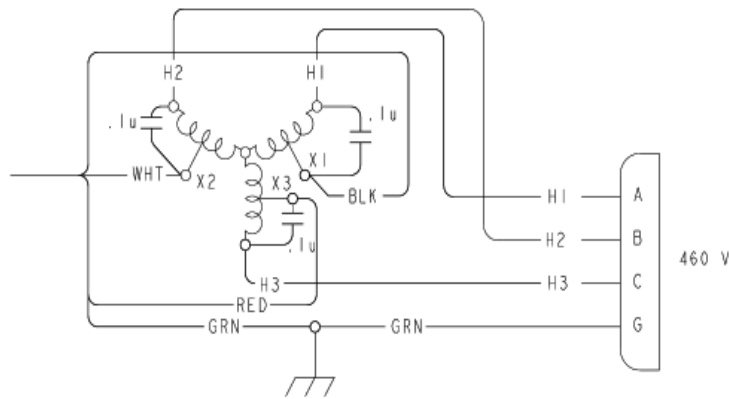
CUSTOMER SPECIFICATION		REVISION	A
BASE UNIT	MAGNUM	ADDENDUM	
REV. DATE	9 th Jul, 2012	PAGE 2 of	3

UNIT OPTION:

Dual Voltage Transformer for Marine Refrigerated Units

Description	Remarks
Electric Specifications	
Max Permissible Current rating	15 kVA
Leads material	Hypalon 105°C wires
Insulation (Min distance of all leads from box openings)	13.0 Inches
Coil insulation Rating	185°C (200°C Potting)
Environmental Specifications	
Operating Ambient Temperature	70°C Max Ambient @ 15kVA 60Hz
Testing	
Hipot test	2500 VAC
Turns Ratio Test	460 VAC with 230 VAC measure
Excitation Current Test	3.3 Amps Max
Marking	
Primary and Secondary Leads color	Black
Phase Identification	Min one labeled wire

CONNECTION DIAGRAM



CONNECTIONS	
H1 - H2 H2 - H3 H3 - H1	460 VAC ; 60Hz
X1 - X2 X2 - X3 X3 - X1	230VAC ; 60Hz
GRD	Ground Connection

THERMO KING CORPORATION	CUSTOMER SPECIFICATION		REVISION	A
	BASE UNIT	MAGNUM	ADDENDUM	
	REV. DATE	9th Jul, 2012	PAGE 3 of	3

REVISIONS:

A July 9, 2012:

Created